

# Fuel Pressure Emulator

# FPE

## Installation Manual



**Manufacturer:**  
**AC Spółka Akcyjna**  
 15-182 Białystok, ul. 27 Lipca 64, Poland  
 tel. +48 85 7438148, fax +48 85 6538649  
 www.ac.com.pl, e-mail: autogaz@ac.com.pl

"04-089.95.00.1 z dn.17.09.2008"

### Fuel Pressure Emulator Installation Instructions

**Technical Specifications:** Supply voltage: 12V ± 25%  
 Working temperature: -40 C ÷ +70 C  
 Protection class: IP66

#### Application:

Fuel pressure emulator has been designed for cars in the case of which, there is a problem with excessive pressure on the fuel rail while the engine is running on gas.

FORD : Escapade 3.0 V6  
 Explorer 2007  
 Focus 2004 on

JAGUAR X-Type 2.5i V6 24v Multipoint '02 – XB (OBD)

MUSTANG 4.0

VOLVO, silnik 2.4l 5 cylinder engine

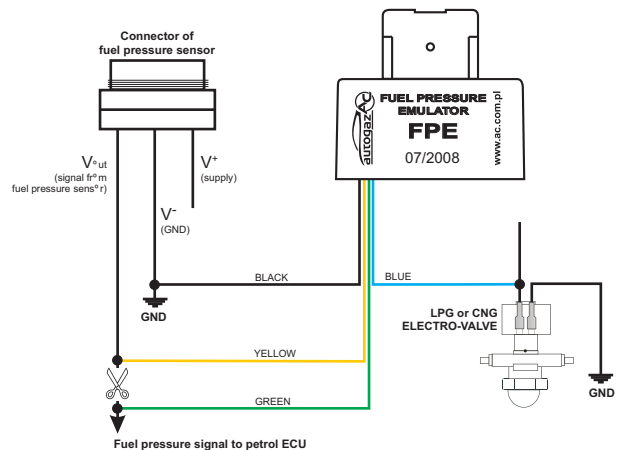
JAGUAR, 2.5l, 3.0l engine

Fuel pressure emulator is also compatible with other cars (not included in the above-mentioned list), provided they are equipped with a sensor monitoring fuel pressure on the fuel rail (mainly FORD group engines).

#### Operation Principle

While the engine is running on gas, as the fuel is being collected from the fuel rail, gas line pressure increases above the nominal value. As a result the gas line computer reduces injection time (error) and reports a defect. Fuel pressure emulator solves this problem – while the engine is running on gas, the device emulates correct pressure readings and thus prevents the above-mentioned issues.

### Wiring Diagram and Installation Manual



1. Identify signal wire of the fuel pressure sensor.
2. Measure the voltage at the output of the fuel pressure sensor using a multimeter while the engine is running at 1500 revs (and running on gas line).
3. Supply the Emulator prior to installation in the car (blue wire: +12 V, black wire: GND), use the potentiometer to set the initial output voltage at the value measured in item 2.
4. Install the device in line with the diagram.
5. Start the engine and switch to gas.
6. Adjust the Emulator output voltage if necessary (while the engine is running on gas).